

INSTALLATION INSTRUCTIONS

IDC ICEMAKER ADAPTOR KIT FOR P/N 629088667

1. Place ice slide into ice drop opening in bin (see FIGURE 2).
2. Place bar into first set of pockets inside the ice bin.
3. Hook cross braces over top of bar and place into inner pockets inside the ice bin (at back end).
4. Place Icemaker Adaptor Kit on top of unit.
5. Place icemaker on top of kit. **DO NOT** slide icemaker into position on the lid.
6. Apply continuous bead of NSF international (NSF) listed silastic sealant (Dow 732 or equivalent), supplied in kit, to seal the icemaker to the top of the adapter kit. All excess sealant must be wiped away immediately.
7. Drill 9/64" diameter holes, using one of the two supplied brackets as a template, into the rear of the icemaker and the rear of the icemaker adaptor kit. **USE EXTREME CARE NOT TO DRILL INTO ANY ICEMAKER COMPONENTS!!!** Secure the icemaker to the adapter using the screws and brackets provided.
8. For optimal performance, do not fill ice bin more than 2/3 capacity (maximum fill is 4" below top of bin). Applies to IDC 255 models only.

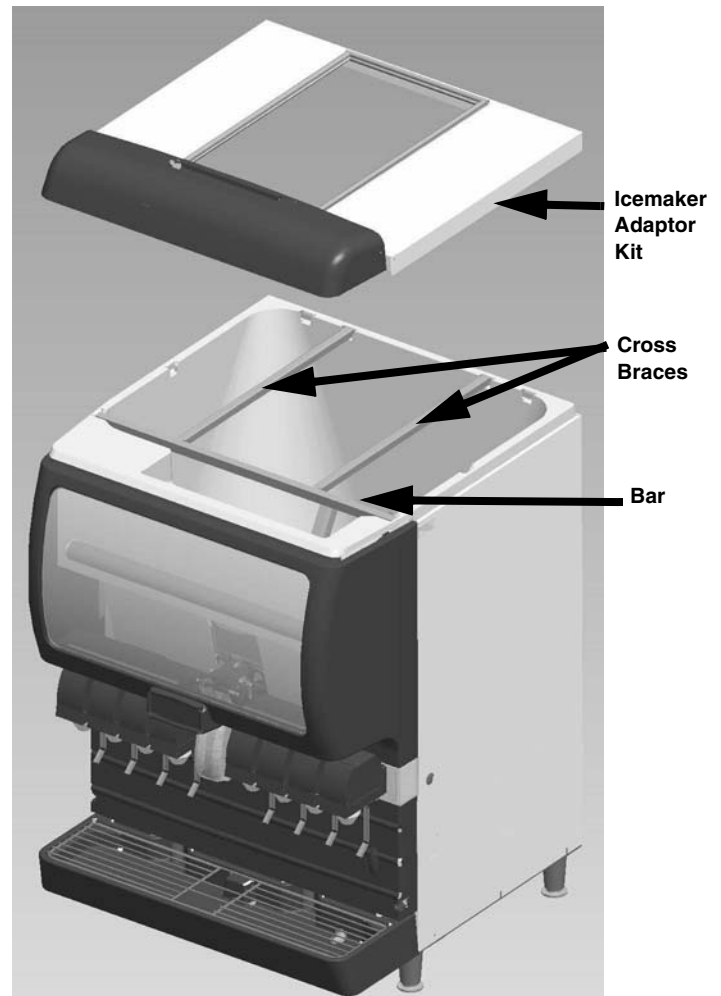


FIGURE 1

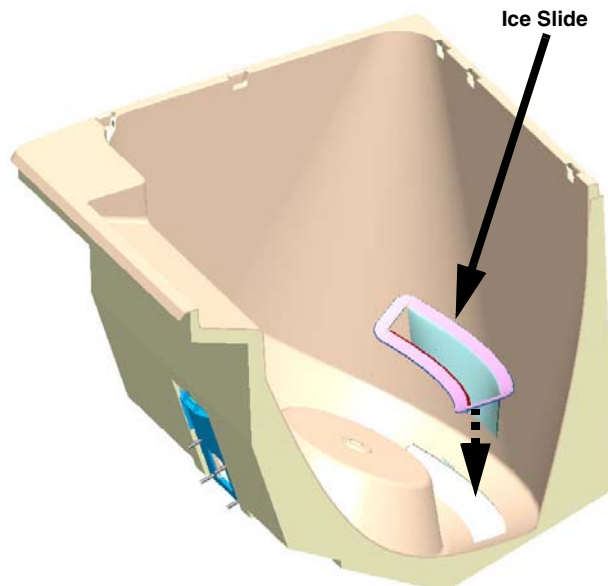


FIGURE 2. Ice Slide Assembly
www.cornelius.com